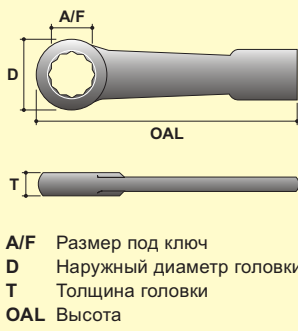




КЛЮЧИ УДАРНЫЕ

1. Кованные из высоко легированной стали.
2. Все размеры соответствуют требованиям ISO.
3. Прошли закалку для большего ударного сопротивления.
4. Прошли гальванообработку и оксидирование для защиты от ржавчины.
5. Более безопасны в использовании, благодаря увеличенной ударной площадке.
6. Правильная толщина головки гарантирует надежную фиксацию на болте/гайке.
7. Изгиб ключей ударных смещенных дает больше возможностей пользователю.
9. Имеют четкую маркировку размера и модели.



КЛЮЧИ УДАРНЫЕ ПРЯМЫЕ



12-ГРАННЫЕ

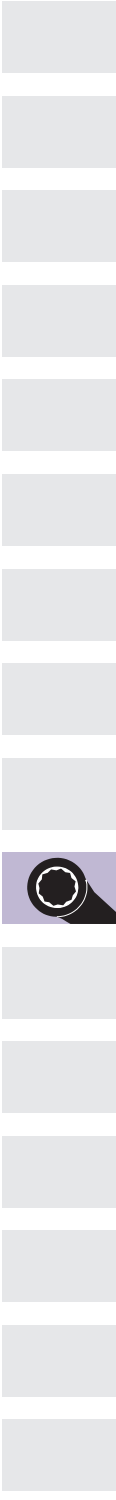


| A / F мм | МОДЕЛЬ | T мм | D мм | OAL мм | Вес кг. |
|-------------|--------|---------|---------|-----------|------------|
| 22 | MSW22 | 18.0 | 48.0 | 182.0 | 0.610 |
| 23 | MSW23 | 18.0 | 48.0 | 182.0 | 0.610 |
| 24 | MSW24 | 18.0 | 48.0 | 182.0 | 0.610 |
| 25 | MSW25 | 18.0 | 48.0 | 182.0 | 0.590 |
| 26 | MSW26 | 18.0 | 48.0 | 182.0 | 0.590 |
| 27 | MSW27 | 18.0 | 48.0 | 182.0 | 0.590 |
| 28 | MSW28 | 18.0 | 54.0 | 185.0 | 0.580 |
| 29 | MSW29 | 18.0 | 54.0 | 185.0 | 0.560 |
| 30 | MSW30 | 18.0 | 54.0 | 185.0 | 0.550 |
| 31 | MSW31 | 18.0 | 54.0 | 185.0 | 0.540 |
| 32 | MSW32 | 18.0 | 54.0 | 185.0 | 0.550 |
| 33 | MSW33 | 18.0 | 54.0 | 185.0 | 0.540 |
| 34 | MSW34 | 18.0 | 54.0 | 185.0 | 0.540 |
| 35 | MSW35 | 18.0 | 54.0 | 185.0 | 0.540 |
| 36 | MSW36 | 22.0 | 64.0 | 215.0 | 1.060 |
| 37 | MSW37 | 22.0 | 64.0 | 215.0 | 1.060 |
| 38 | MSW38 | 22.0 | 64.0 | 215.0 | 1.040 |
| 39 | MSW39 | 22.0 | 64.0 | 215.0 | 1.030 |
| 40 | MSW40 | 22.0 | 64.0 | 215.0 | 1.030 |
| 41 | MSW41 | 22.0 | 64.0 | 215.0 | 1.030 |
| 42 | MSW42 | 22.0 | 64.0 | 215.0 | 1.020 |
| 43 | MSW43 | 25.0 | 76.0 | 238.0 | 1.480 |
| 44 | MSW44 | 25.0 | 76.0 | 238.0 | 1.470 |
| 45 | MSW45 | 25.0 | 76.0 | 238.0 | 1.430 |
| 46 | MSW46 | 25.0 | 76.0 | 238.0 | 1.400 |
| 47 | MSW47 | 25.0 | 76.0 | 238.0 | 1.380 |
| 48 | MSW48 | 25.0 | 80.0 | 240.0 | 1.360 |
| 49 | MSW49 | 25.0 | 80.0 | 240.0 | 1.350 |
| 50 | MSW50 | 25.0 | 80.0 | 240.0 | 1.340 |
| 51 | MSW51 | 25.0 | 80.0 | 240.0 | 1.400 |
| 52 | MSW52 | 25.0 | 80.0 | 240.0 | 1.400 |
| 54 | MSW54 | 25.0 | 80.0 | 240.0 | 2.350 |
| 55 | MSW55 | 28.0 | 88.0 | 262.0 | 2.320 |
| 56 | MSW56 | 28.0 | 88.0 | 262.0 | 2.325 |
| 57 | MSW57 | 28.0 | 88.0 | 262.0 | 2.310 |
| 58 | MSW58 | 28.0 | 88.0 | 262.0 | 2.300 |
| 59 | MSW59 | 28.0 | 94.0 | 265.0 | 2.250 |
| 60 | MSW60 | 28.0 | 94.0 | 265.0 | 2.140 |
| 61 | MSW61 | 28.0 | 94.0 | 265.0 | 2.140 |
| 62 | MSW62 | 28.0 | 94.0 | 265.0 | 2.500 |
| 65 | MSW65 | 30.0 | 104.0 | 285.0 | 2.710 |
| 67 | MSW67 | 30.0 | 104.0 | 285.0 | 2.770 |
| 70 | MSW70 | 35.0 | 110.0 | 315.0 | 3.410 |
| 73 | MSW73 | 35.0 | 110.0 | 315.0 | 3.410 |
| 75 | MSW75 | 35.0 | 110.0 | 315.0 | 3.400 |

METRIC BIHEXAGON (Cont.)



| A / F mm | MODEL NO. | T mm | D mm | OAL mm | Wt. Kg. |
|-------------|--------------|---------|---------|-----------|------------|
| 76 | MSW76 | 35.0 | 110.0 | 315.0 | 3.370 |
| 80 | MSW80 | 38.0 | 126.0 | 340.0 | 4.860 |
| 85 | MSW85 | 38.0 | 126.0 | 340.0 | 4.400 |
| 86 | MSW86 | 38.0 | 126.0 | 340.0 | 4.300 |
| 90 | MSW90 | 42.0 | 152.0 | 400.0 | 4.650 |
| 95 | MSW95 | 42.0 | 152.0 | 400.0 | 4.360 |
| 100 | MSW100 | 42.0 | 152.0 | 400.0 | 7.490 |
| 105 | MSW105 | 50.0 | 172.0 | 410.0 | 10.580 |
| 110 | MSW110 | 50.0 | 172.0 | 435.0 | 11.670 |
| 115 | MSW115 | 50.0 | 172.0 | 435.0 | 10.760 |
| 120 | MSW120 | 56.0 | 194.0 | 475.0 | 16.070 |
| 125 | MSW125 | 56.0 | 194.0 | 475.0 | 16.960 |
| 130 | MSW130 | 60.0 | 205.0 | 505.0 | 16.850 |
| 135 | MSW135 | 60.0 | 205.0 | 510.0 | 16.550 |
| 140 | MSW140 | 65.0 | 230.0 | 565.0 | 19.000 |
| 145 | MSW145 | 65.0 | 230.0 | 565.0 | 18.810 |
| 150 | MSW150 | 65.0 | 230.0 | 565.0 | 18.550 |
| 155 | MSW155 | 65.0 | 230.0 | 565.0 | 18.350 |
| 160 | MSW160 | 70.0 | 270.0 | 635.0 | 29.900 |
| 165 | MSW165 | 70.0 | 270.0 | 635.0 | 29.700 |
| 170 | MSW170 | 70.0 | 270.0 | 635.0 | 29.250 |
| 175 | MSW175 | 70.0 | 270.0 | 635.0 | 28.850 |
| 180 | MSW180 | 70.0 | 270.0 | 635.0 | 28.500 |
| 185 | MSW185 | 75.0 | 295.0 | 680.0 | 35.600 |
| 190 | MSW190 | 75.0 | 295.0 | 680.0 | 35.400 |
| 195 | MSW195 | 75.0 | 295.0 | 680.0 | 35.200 |
| 200 | MSW200 | 75.0 | 295.0 | 680.0 | 34.900 |
| 205 | MSW205 | 75.0 | 295.0 | 680.0 | 34.700 |
| 210 | MSW210 | 80.0 | 325.0 | 725.0 | 50.850 |
| 215 | MSW215 | 80.0 | 325.0 | 725.0 | 50.550 |
| 220 | MSW220 | 80.0 | 325.0 | 725.0 | 50.100 |
| 225 | MSW225 | 80.0 | 325.0 | 725.0 | 49.800 |
| 230 | MSW230 | 80.0 | 325.0 | 725.0 | 49.500 |



КЛЮЧИ УДАРНЫЕ ПРЯМЫЕ



FRACTIONAL BIHEXAGON

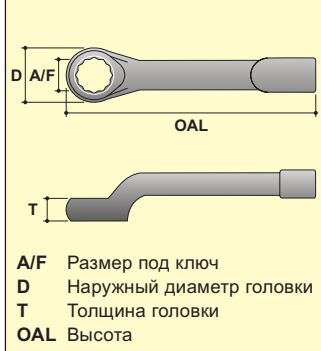


| A / F inch | MODEL NO. | T inch | D inch | OAL inch | Wt. lbs. |
|---------------|--------------|-----------|-----------|-------------|-------------|
| 7/8 | ASW14 | 0.708 | 1.889 | 7.165 | 1.390 |
| 15/16 | ASW15 | 0.708 | 1.889 | 7.165 | 1.340 |
| 1 | ASW16 | 0.708 | 1.889 | 7.165 | 1.320 |
| 1.1/16 | ASW17 | 0.708 | 1.889 | 7.165 | 1.300 |
| 1.1/8 | ASW18 | 0.708 | 2.125 | 7.283 | 1.365 |
| 1.3/16 | ASW19 | 0.708 | 2.125 | 7.283 | 1.200 |
| 1.1/4 | ASW20 | 0.708 | 2.125 | 7.283 | 1.500 |
| 1.5/16 | ASW21 | 0.708 | 2.125 | 7.283 | 1.200 |
| 1.3/8 | ASW22 | 0.708 | 2.125 | 7.283 | 1.200 |
| 1.7/16 | ASW23 | 0.866 | 2.519 | 8.464 | 2.300 |
| 1.1/2 | ASW24 | 0.866 | 2.519 | 8.464 | 2.400 |
| 1.9/16 | ASW25 | 0.866 | 2.519 | 8.464 | 2.350 |
| 1.5/8 | ASW26 | 0.866 | 2.519 | 8.464 | 2.300 |
| 1.11/16 | ASW27 | 0.984 | 2.992 | 9.370 | 3.080 |
| 1.3/4 | ASW28 | 0.984 | 2.992 | 9.370 | 3.080 |
| 1.13/16 | ASW29 | 0.984 | 2.992 | 9.370 | 3.080 |
| 1.7/8 | ASW30 | 0.984 | 2.992 | 9.370 | 3.230 |
| 1.15/16 | ASW31 | 0.984 | 3.149 | 9.448 | 3.230 |
| 2 | ASW32 | 0.984 | 3.149 | 9.448 | 3.080 |
| 2.1/16 | ASW33 | 0.984 | 3.149 | 9.448 | 2.930 |
| 2.1/8 | ASW34 | 0.984 | 3.149 | 9.448 | 3.020 |
| 2.3/16 | ASW35 | 1.102 | 3.464 | 10.314 | 4.840 |
| 2.1/4 | ASW36 | 1.102 | 3.464 | 10.314 | 4.970 |
| 2.5/16 | ASW37 | 1.102 | 3.700 | 10.433 | 4.990 |
| 2.3/8 | ASW38 | 1.102 | 3.700 | 10.433 | 5.040 |
| 2.7/16 | ASW39 | 1.102 | 3.700 | 10.433 | 4.700 |
| 2.1/2 | ASW40 | 1.102 | 3.700 | 10.433 | 3.080 |
| 2.9/16 | ASW41 | 1.181 | 4.094 | 11.220 | 5.875 |
| 2.5/8 | ASW42 | 1.181 | 4.094 | 11.220 | 7.500 |
| 2.11/16 | ASW43 | 1.181 | 4.094 | 11.220 | 7.500 |
| 2.3/4 | ASW44 | 1.377 | 4.330 | 12.401 | 7.500 |
| 2.13/16 | ASW45 | 1.377 | 4.330 | 12.401 | 7.180 |
| 2.7/8 | ASW46 | 1.377 | 4.330 | 12.401 | 7.195 |
| 2.15/16 | ASW47 | 1.377 | 4.330 | 12.401 | 7.200 |
| 3 | ASW48 | 1.377 | 4.330 | 12.401 | 7.400 |
| 3.1/16 | ASW49 | 1.496 | 4.960 | 13.385 | 9.130 |
| 3.1/8 | ASW50 | 1.496 | 4.960 | 13.385 | 8.910 |
| 3.3/16 | ASW51 | 1.496 | 4.960 | 13.385 | 9.130 |
| 3.1/4 | ASW52 | 1.496 | 4.960 | 13.385 | 9.350 |
| 3.5/16 | ASW53 | 1.496 | 4.960 | 13.385 | 9.570 |
| 3.3/8 | ASW54 | 1.496 | 4.960 | 13.385 | 9.680 |
| 3.7/16 | ASW55 | 1.653 | 5.984 | 15.748 | 9.460 |
| 3.1/2 | ASW56 | 1.653 | 5.984 | 15.748 | 9.460 |
| 3.9/16 | ASW57 | 1.653 | 5.984 | 15.748 | 9.500 |
| 3.5/8 | ASW58 | 1.653 | 5.984 | 15.748 | 9.480 |
| 3.11/16 | ASW59 | 1.653 | 5.984 | 15.748 | 9.530 |
| 3.3/4 | ASW60 | 1.653 | 5.984 | 15.748 | 9.590 |
| 3.13/16 | ASW61 | 1.653 | 5.984 | 15.748 | 9.640 |

FRACTIONAL BIHEXAGON (Cont.)



| A / F inch | MODEL NO. | T mm | D mm | OAL mm | Wt. lbs. |
|---------------|--------------|---------|---------|-----------|-------------|
| 3.7/8 | ASW62 | 1.653 | 5.984 | 15.748 | 15.000 |
| 3.15/16 | ASW63 | 1.653 | 5.984 | 15.748 | 16.480 |
| 4 | ASW64 | 1.653 | 5.984 | 15.748 | 19.470 |
| 4.1/16 | ASW65 | 1.653 | 5.984 | 15.748 | 19.690 |
| 4.1/8 | ASW66 | 1.968 | 6.771 | 16.141 | 23.280 |
| 4.3/16 | ASW67 | 1.968 | 6.771 | 16.141 | 23.100 |
| 4.1/4 | ASW68 | 1.968 | 6.771 | 16.141 | 22.800 |
| 4.5/16 | ASW69 | 1.968 | 6.771 | 17.125 | 24.550 |
| 4.3/8 | ASW70 | 1.968 | 6.771 | 17.125 | 24.200 |
| 4.7/16 | ASW71 | 1.968 | 6.771 | 17.125 | 23.980 |
| 4.1/2 | ASW72 | 1.968 | 6.771 | 17.125 | 23.670 |
| 4.5/8 | ASW74 | 2.204 | 7.637 | 18.700 | 29.480 |
| 4.3/4 | ASW76 | 2.204 | 7.637 | 18.700 | 29.700 |
| 4.7/8 | ASW78 | 2.204 | 7.637 | 18.700 | 37.310 |
| 5 | ASW80 | 2.204 | 8.070 | 19.881 | 36.850 |
| 5.1/8 | ASW82 | 2.204 | 8.070 | 19.881 | 36.630 |
| 5.3/16 | ASW83 | 2.204 | 8.070 | 19.881 | 36.520 |
| 5.1/4 | ASW84 | 2.204 | 8.070 | 19.881 | 36.520 |
| 5.3/8 | ASW86 | 2.559 | 9.055 | 22.244 | 43.560 |
| 5.1/2 | ASW88 | 2.559 | 9.055 | 22.244 | 41.800 |
| 5.5/8 | ASW90 | 2.559 | 9.055 | 22.244 | 41.580 |
| 5.3/4 | ASW92 | 2.559 | 9.055 | 22.244 | 41.560 |
| 5.7/8 | ASW94 | 2.559 | 9.055 | 22.244 | 40.810 |
| 6 | ASW96 | 2.559 | 9.055 | 22.244 | 40.370 |
| 6.1/8 | ASW98 | 2.559 | 9.055 | 22.244 | 39.820 |
| 6.1/4 | ASW100 | 2.755 | 10.629 | 25.000 | 66.550 |
| 6.3/8 | ASW102 | 2.755 | 10.629 | 25.000 | 66.000 |
| 6.1/2 | ASW104 | 2.755 | 10.629 | 25.000 | 65.340 |
| 6.5/8 | ASW106 | 2.755 | 10.629 | 25.000 | 65.120 |
| 6.3/4 | ASW108 | 2.755 | 10.629 | 25.000 | 64.240 |
| 6.7/8 | ASW110 | 2.755 | 10.629 | 25.000 | 63.470 |
| 7 | ASW112 | 2.755 | 10.629 | 25.000 | 63.030 |
| 7.1/8 | ASW114 | 2.952 | 11.614 | 26.771 | 78.760 |
| 7.1/4 | ASW116 | 2.952 | 11.614 | 26.771 | 78.320 |
| 7.3/8 | ASW118 | 2.952 | 11.614 | 26.771 | 78.100 |
| 7.1/2 | ASW120 | 2.952 | 11.614 | 26.771 | 78.880 |
| 7.5/8 | ASW122 | 2.952 | 11.614 | 26.771 | 77.660 |
| 7.3/4 | ASW124 | 2.952 | 11.614 | 26.771 | 77.440 |
| 7.13/16 | ASW125 | 2.952 | 11.614 | 26.771 | 76.780 |
| 7.7/8 | ASW126 | 2.952 | 11.614 | 26.771 | 76.120 |
| 8 | ASW128 | 2.952 | 11.614 | 26.771 | 76.560 |
| 8.1/8 | ASW130 | 3.149 | 12.795 | 28.543 | 112.420 |
| 8.1/4 | ASW132 | 3.149 | 12.795 | 28.543 | 111.540 |
| 8.3/8 | ASW134 | 3.149 | 12.795 | 28.543 | 110.660 |
| 8.1/2 | ASW136 | 3.149 | 12.795 | 28.543 | 110.220 |
| 8.5/8 | ASW138 | 3.149 | 12.795 | 28.543 | 109.780 |
| 8.7/8 | ASW142 | 3.149 | 12.795 | 28.543 | 109.340 |
| 9 | ASW144 | 3.149 | 12.795 | 28.543 | 108.900 |



КЛЮЧИ УДАРНЫЕ ИЗОГНУТЫЕ



12-ГРАННЫЕ

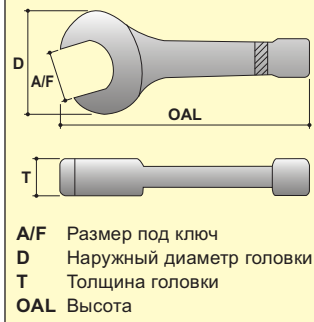
| A / F мм | МОДЕЛЬ | T мм | D мм | OAL мм | Вес кг. |
|-------------|---------|---------|---------|-----------|------------|
| 24 | MOSW24 | 20.0 | 42.0 | 250.0 | 1.000 |
| 27 | MOSW27 | 25.0 | 52.0 | 270.0 | 1.060 |
| 30 | MOSW30 | 25.0 | 52.0 | 270.0 | 1.150 |
| 32 | MOSW32 | 25.0 | 52.0 | 270.0 | 1.290 |
| 34 | MOSW34 | 25.0 | 52.0 | 270.0 | 1.640 |
| 35 | MOSW35 | 32.0 | 68.0 | 312.0 | 1.550 |
| 36 | MOSW36 | 32.0 | 68.0 | 312.0 | 1.500 |
| 38 | MOSW38 | 32.0 | 68.0 | 312.0 | 1.750 |
| 40 | MOSW40 | 32.0 | 68.0 | 312.0 | 1.950 |
| 41 | MOSW41 | 32.0 | 68.0 | 312.0 | 2.150 |
| 43 | MOSW43 | 35.0 | 82.0 | 340.0 | 2.850 |
| 46 | MOSW46 | 35.0 | 82.0 | 340.0 | 2.630 |
| 47 | MOSW47 | 35.0 | 82.0 | 340.0 | 2.610 |
| 48 | MOSW48 | 35.0 | 82.0 | 340.0 | 2.600 |
| 49 | MOSW49 | 35.0 | 82.0 | 340.0 | 2.450 |
| 50 | MOSW50 | 35.0 | 82.0 | 340.0 | 2.350 |
| 51 | MOSW51 | 35.0 | 82.0 | 340.0 | 3.190 |
| 52 | MOSW52 | 38.0 | 82.0 | 360.0 | 3.000 |
| 54 | MOSW54 | 38.0 | 82.0 | 360.0 | 3.000 |
| 55 | MOSW55 | 38.0 | 82.0 | 360.0 | 2.930 |
| 56 | MOSW56 | 38.0 | 82.0 | 360.0 | 2.980 |
| 57 | MOSW57 | 38.0 | 82.0 | 360.0 | 4.850 |
| 58 | MOSW58 | 38.0 | 82.0 | 360.0 | 4.750 |
| 59 | MOSW59 | 38.0 | 82.0 | 360.0 | 4.900 |
| 60 | MOSW60 | 44.0 | 110.0 | 380.0 | 4.430 |
| 61 | MOSW61 | 44.0 | 110.0 | 380.0 | 4.350 |
| 62 | MOSW62 | 44.0 | 110.0 | 380.0 | 4.300 |
| 65 | MOSW65 | 44.0 | 110.0 | 380.0 | 5.650 |
| 67 | MOSW67 | 44.0 | 110.0 | 380.0 | 5.500 |
| 70 | MOSW70 | 50.0 | 127.0 | 400.0 | 7.320 |
| 73 | MOSW73 | 50.0 | 127.0 | 400.0 | 7.000 |
| 75 | MOSW75 | 50.0 | 127.0 | 400.0 | 6.880 |
| 76 | MOSW76 | 50.0 | 127.0 | 400.0 | 6.750 |
| 80 | MOSW80 | 50.0 | 127.0 | 400.0 | 8.630 |
| 85 | MOSW85 | 50.0 | 127.0 | 400.0 | 7.480 |
| 86 | MOSW86 | 57.0 | 152.0 | 465.0 | 9.100 |
| 90 | MOSW90 | 57.0 | 152.0 | 465.0 | 8.970 |
| 95 | MOSW95 | 57.0 | 152.0 | 465.0 | 11.680 |
| 100 | MOSW100 | 57.0 | 152.0 | 465.0 | 11.470 |
| 105 | MOSW105 | 63.5 | 194.0 | 540.0 | 12.000 |
| 110 | MOSW110 | 63.5 | 194.0 | 540.0 | 11.740 |
| 115 | MOSW115 | 63.5 | 194.0 | 540.0 | 11.710 |
| 120 | MOSW120 | 63.5 | 194.0 | 540.0 | 11.550 |
| 125 | MOSW125 | 63.5 | 194.0 | 540.0 | 11.250 |
| 130 | MOSW130 | 63.5 | 194.0 | 540.0 | 11.050 |

FRACTIONAL BIHEXAGON

| A / F inch | MODEL NO. | T inch | D inch | OAL inch | Wt. lbs. |
|---------------|--------------|-----------|-----------|-------------|-------------|
| 15/16 | AOSW15 | 0.787 | 1.653 | 9.842 | 2.160 |
| 1 | AOSW16 | 0.787 | 1.653 | 9.842 | 2.200 |
| 1.1/16 | AOSW17 | 0.984 | 2.047 | 10.629 | 2.330 |
| 1.1/8 | AOSW18 | 0.984 | 2.047 | 10.629 | 2.220 |
| 1.3/16 | AOSW19 | 0.984 | 2.047 | 10.629 | 2.420 |
| 1.1/4 | AOSW20 | 0.984 | 2.047 | 10.629 | 2.530 |
| 1.5/16 | AOSW21 | 0.984 | 2.047 | 10.629 | 4.070 |
| 1.3/8 | AOSW22 | 1.259 | 2.677 | 12.283 | 3.520 |
| 1.7/16 | AOSW23 | 1.259 | 2.677 | 12.283 | 3.300 |
| 1.1/2 | AOSW24 | 1.259 | 2.677 | 12.283 | 3.890 |
| 1.5/8 | AOSW26 | 1.259 | 2.677 | 12.283 | 4.730 |
| 1.11/16 | AOSW27 | 1.377 | 3.228 | 13.385 | 4.950 |
| 1.3/4 | AOSW28 | 1.377 | 3.228 | 13.385 | 4.840 |
| 1.13/16 | AOSW29 | 1.377 | 3.228 | 13.385 | 6.050 |
| 1.7/8 | AOSW30 | 1.377 | 3.228 | 13.385 | 6.530 |
| 2 | AOSW32 | 1.377 | 3.228 | 13.385 | 6.290 |
| 2.1/16 | AOSW33 | 1.496 | 3.228 | 14.173 | 13.180 |
| 2.3/16 | AOSW35 | 1.496 | 3.228 | 14.173 | 13.130 |
| 2.1/4 | AOSW36 | 1.496 | 3.228 | 14.173 | 11.960 |
| 2.5/16 | AOSW37 | 1.496 | 3.228 | 14.173 | 11.550 |
| 2.3/8 | AOSW38 | 1.732 | 4.330 | 14.960 | 11.180 |
| 2.7/16 | AOSW39 | 1.732 | 4.330 | 14.960 | 16.940 |
| 2.1/2 | AOSW40 | 1.732 | 4.330 | 14.960 | 16.940 |
| 2.9/16 | AOSW41 | 1.732 | 4.330 | 14.960 | 16.830 |
| 2.5/8 | AOSW42 | 1.732 | 4.330 | 14.960 | 16.280 |
| 2.3/4 | AOSW44 | 1.968 | 5.000 | 15.748 | 16.104 |
| 2.13/16 | AOSW45 | 1.968 | 5.000 | 15.748 | 15.730 |
| 2.7/8 | AOSW46 | 1.968 | 5.000 | 15.748 | 15.400 |
| 2.15/16 | AOSW47 | 1.968 | 5.000 | 15.748 | 15.400 |
| 3 | AOSW48 | 1.968 | 5.000 | 15.748 | 15.140 |
| 3.1/8 | AOSW50 | 1.968 | 5.000 | 15.748 | 14.740 |
| 3.3/8 | AOSW54 | 2.244 | 5.984 | 18.307 | 23.500 |
| 3.1/2 | AOSW56 | 2.244 | 5.984 | 18.307 | 23.430 |
| 3.3/4 | AOSW60 | 2.244 | 5.984 | 18.307 | 23.210 |
| 3.7/8 | AOSW62 | 2.244 | 5.984 | 18.307 | 22.550 |
| 3.15/16 | AOSW63 | 2.244 | 5.984 | 18.307 | 22.220 |
| 4.1/8 | AOSW66 | 2.480 | 7.637 | 21.259 | 26.400 |
| 4.1/4 | AOSW68 | 2.480 | 7.637 | 21.259 | 26.290 |
| 4.5/16 | AOSW69 | 2.480 | 7.637 | 21.259 | 25.830 |
| 4.1/2 | AOSW72 | 2.480 | 7.637 | 21.259 | 25.480 |
| 4.5/8 | AOSW74 | 2.480 | 7.637 | 21.259 | 24.970 |
| 4.3/4 | AOSW76 | 2.480 | 7.637 | 21.259 | 24.420 |
| 4.7/8 | AOSW78 | 2.480 | 7.637 | 21.259 | 24.200 |
| 5 | AOSW80 | 2.480 | 7.637 | 21.259 | 23.870 |
| 5.1/8 | AOSW82 | 2.480 | 7.637 | 21.259 | 23.430 |



КЛЮЧИ УДАРНЫЕ С ОТКРЫТЫМ ЗАХВАТОМ



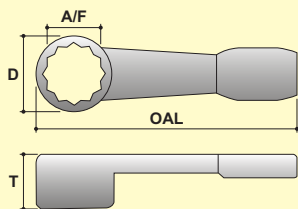
МЕТРИЧЕСКИЕ

| A / F мм | МОДЕЛЬ | T мм | D мм | OAL мм |
|-------------|--------|---------|---------|-----------|
| 24 | MOJ24 | 17 | 58 | 175 |
| 27 | MOJ27 | 17 | 58 | 175 |
| 30 | MOJ30 | 18 | 66 | 190 |
| 32 | MOJ32 | 18 | 66 | 190 |
| 34 | MOJ34 | 18 | 73 | 200 |
| 36 | MOJ36 | 20 | 78 | 205 |
| 38 | MOJ38 | 20 | 90 | 225 |
| 41 | MOJ41 | 20 | 90 | 225 |
| 46 | MOJ46 | 22 | 100 | 245 |
| 50 | MOJ50 | 22 | 110 | 270 |
| 55 | MOJ55 | 25 | 120 | 300 |
| 60 | MOJ60 | 25 | 130 | 310 |
| 65 | MOJ65 | 30 | 142 | 340 |
| 70 | MOJ70 | 32 | 156 | 370 |
| 75 | MOJ75 | 32 | 164 | 370 |
| 80 | MOJ80 | 35 | 175 | 395 |
| 85 | MOJ85 | 35 | 175 | 395 |
| 90 | MOJ90 | 40 | 197 | 440 |
| 95 | MOJ95 | 40 | 197 | 440 |
| 100 | MOJ100 | 48 | 230 | 480 |
| 105 | MOJ105 | 48 | 230 | 480 |
| 110 | MOJ110 | 50 | 238 | 505 |
| 115 | MOJ115 | 56 | 250 | 505 |
| 120 | MOJ120 | 56 | 258 | 530 |
| 130 | MOJ130 | 56 | 278 | 560 |
| 135 | MOJ135 | 56 | 278 | 560 |
| 145 | MOJ145 | 62 | 308 | 630 |
| 150 | MOJ150 | 62 | 308 | 630 |
| 155 | MOJ155 | 62 | 308 | 630 |
| 165 | MOJ165 | 70 | 345 | 705 |
| 170 | MOJ170 | 70 | 345 | 705 |
| 175 | MOJ175 | 70 | 345 | 705 |
| 180 | MOJ180 | 70 | 345 | 705 |
| 200 | MOJ200 | 75 | 405 | 760 |
| 215 | MOJ215 | 80 | 425 | 830 |
| 230 | MOJ230 | 80 | 475 | 830 |

FRACTIONAL SIZES

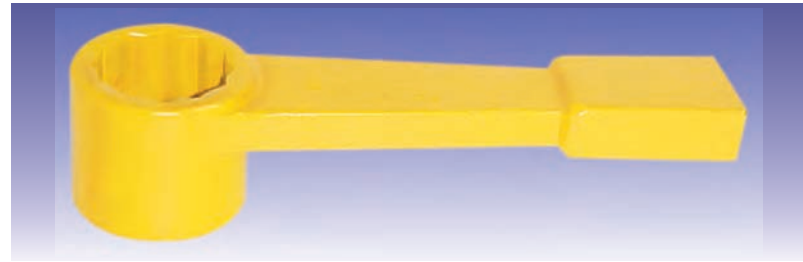
| A / F inch | MODEL NO. | T inch | D inch | OAL inch |
|---------------|--------------|-----------|-----------|-------------|
| 15/16 | AOJ15 | 0.669 | 2.283 | 6.890 |
| 1.1/16 | AOJ17 | 0.669 | 2.283 | 6.890 |
| 1.1/8 | AOJ18 | 0.708 | 2.598 | 7.480 |
| 1.1/4 | AOJ20 | 0.708 | 2.598 | 7.480 |
| 1.5/16 | AOJ21 | 0.708 | 2.874 | 7.874 |
| 1.3/8 | AOJ22 | 0.708 | 2.874 | 7.874 |
| 1.7/16 | AOJ23 | 0.787 | 3.071 | 8.071 |
| 1.1/2 | AOJ24 | 0.787 | 3.543 | 8.858 |
| 1.5/8 | AOJ26 | 0.787 | 3.543 | 8.858 |
| 1.11/16 | AOJ27 | 0.787 | 3.543 | 8.858 |
| 1.13/16 | AOJ29 | 0.866 | 3.937 | 9.646 |
| 1.7/8 | AOJ30 | 0.866 | 4.331 | 10.630 |
| 2 | AOJ32 | 0.866 | 4.331 | 10.630 |
| 2.1/16 | AOJ33 | 0.984 | 4.724 | 11.811 |
| 2.3/16 | AOJ35 | 0.984 | 4.724 | 11.811 |
| 2.1/4 | AOJ36 | 0.984 | 5.118 | 11.811 |
| 2.3/8 | AOJ38 | 0.984 | 5.118 | 12.204 |
| 2.7/16 | AOJ39 | 1.181 | 5.590 | 13.385 |
| 2.9/16 | AOJ41 | 1.181 | 5.590 | 13.385 |
| 2.5/8 | AOJ42 | 1.259 | 6.141 | 14.567 |
| 2.3/4 | AOJ44 | 1.259 | 6.141 | 14.567 |
| 2.13/16 | AOJ45 | 1.259 | 6.457 | 14.567 |
| 2.15/16 | AOJ47 | 1.259 | 6.457 | 14.567 |
| 3 | AOJ48 | 1.259 | 6.457 | 14.567 |
| 3.1/8 | AOJ50 | 1.378 | 6.890 | 15.551 |
| 3.3/8 | AOJ51 | 1.378 | 6.890 | 15.551 |
| 3.1/2 | AOJ56 | 1.575 | 7.756 | 17.323 |
| 3.3/4 | AOJ60 | 1.575 | 7.756 | 17.323 |
| 3.7/8 | AOJ62 | 1.890 | 9.055 | 18.898 |
| 4.1/8 | AOJ66 | 1.890 | 9.055 | 18.898 |
| 4.1/4 | AOJ68 | 1.968 | 9.370 | 19.882 |
| 4.1/2 | AOJ72 | 2.204 | 9.842 | 19.882 |
| 4.5/8 | AOJ74 | 2.204 | 10.157 | 20.866 |
| 4.7/8 | AOJ78 | 2.204 | 10.945 | 20.866 |
| 5 | AOJ80 | 2.204 | 10.945 | 22.047 |
| 5.1/4 | AOJ84 | 2.204 | 10.945 | 22.047 |
| 5.3/8 | AOJ86 | 2.204 | 10.945 | 22.047 |
| 5.5/8 | AOJ90 | 2.441 | 12.126 | 24.803 |
| 5.3/4 | AOJ92 | 2.441 | 12.126 | 24.803 |
| 6 | AOJ96 | 2.441 | 12.126 | 24.803 |
| 6.1/8 | AOJ98 | 2.441 | 12.126 | 24.803 |
| 6.1/2 | AOJ104 | 2.756 | 13.582 | 27.756 |
| 6.7/8 | AOJ110 | 2.756 | 13.582 | 27.756 |
| 7.1/8 | AOJ114 | 2.756 | 13.582 | 27.756 |
| 7.1/4 | AOJ116 | 2.756 | 15.157 | 29.921 |
| 7.5/8 | AOJ122 | 2.756 | 15.157 | 29.921 |
| 7.7/8 | AOJ126 | 2.952 | 15.945 | 29.921 |
| 8 | AOJ128 | 2.952 | 15.945 | 29.921 |
| 8.3/8 | AOJ134 | 3.150 | 16.732 | 32.677 |
| 8.3/4 | AOJ140 | 3.150 | 17.520 | 32.677 |
| 9.1/8 | AOJ146 | 3.150 | 18.700 | 32.677 |





A/F Размер под ключ
 D Наружный диаметр головки
 T Толщина головки
 OAL Высота

КЛЮЧИ УДАРНЫЕ НАКИДНЫЕ

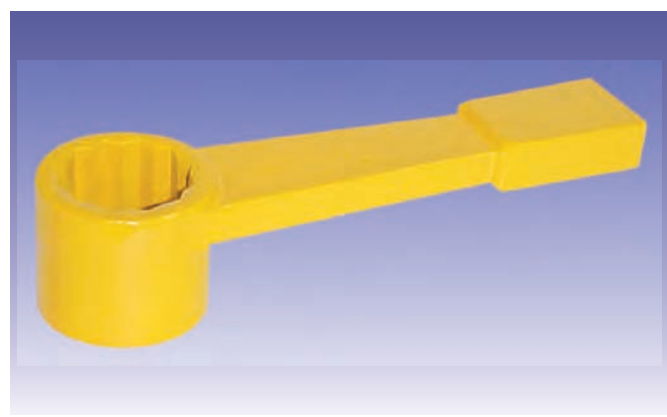


12-ГРАННЫЕ

| A / F MM | МОДЕЛЬ | T MM | D MM | OAL MM |
|-------------|---------|---------|---------|-----------|
| 24 | MBSW24 | 40.0 | 47.0 | 180.0 |
| 27 | MBSW27 | 40.0 | 47.0 | 180.0 |
| 30 | MBSW30 | 40.0 | 54.0 | 195.0 |
| 32 | MBSW32 | 45.0 | 54.0 | 195.0 |
| 34 | MBSW34 | 45.0 | 54.0 | 195.0 |
| 36 | MBSW36 | 45.0 | 60.0 | 200.0 |
| 38 | MBSW38 | 45.0 | 66.0 | 220.0 |
| 41 | MBSW41 | 45.0 | 66.0 | 220.0 |
| 46 | MBSW46 | 50.0 | 75.0 | 230.0 |
| 50 | MBSW50 | 50.0 | 80.0 | 245.0 |
| 55 | MBSW55 | 60.0 | 88.0 | 260.0 |
| 60 | MBSW60 | 60.0 | 94.0 | 270.0 |
| 65 | MBSW65 | 70.0 | 104.0 | 290.0 |
| 70 | MBSW70 | 70.0 | 110.0 | 320.0 |
| 75 | MBSW75 | 80.0 | 110.0 | 320.0 |
| 80 | MBSW80 | 80.0 | 126.0 | 350.0 |
| 85 | MBSW85 | 90.0 | 126.0 | 350.0 |
| 90 | MBSW90 | 90.0 | 152.0 | 385.0 |
| 95 | MBSW95 | 95.0 | 152.0 | 385.0 |
| 100 | MBSW100 | 95.0 | 155.0 | 415.0 |
| 105 | MBSW105 | 105.0 | 172.0 | 420.0 |
| 110 | MBSW110 | 110.0 | 172.0 | 440.0 |
| 115 | MBSW115 | 115.0 | 172.0 | 440.0 |
| 120 | MBSW120 | 120.0 | 194.0 | 485.0 |
| 130 | MBSW130 | 130.0 | 205.0 | 515.0 |
| 135 | MBSW135 | 135.0 | 205.0 | 515.0 |
| 145 | MBSW145 | 145.0 | 230.0 | 575.0 |
| 150 | MBSW150 | 150.0 | 230.0 | 575.0 |
| 155 | MBSW155 | 155.0 | 230.0 | 575.0 |
| 165 | MBSW165 | 165.0 | 270.0 | 645.0 |
| 170 | MBSW170 | 170.0 | 270.0 | 645.0 |
| 175 | MBSW175 | 175.0 | 270.0 | 645.0 |
| 180 | MBSW180 | 180.0 | 270.0 | 645.0 |
| 200 | MBSW200 | 200.0 | 295.0 | 690.0 |
| 215 | MBSW215 | 215.0 | 325.0 | 735.0 |
| 230 | MBSW230 | 230.0 | 325.0 | 735.0 |

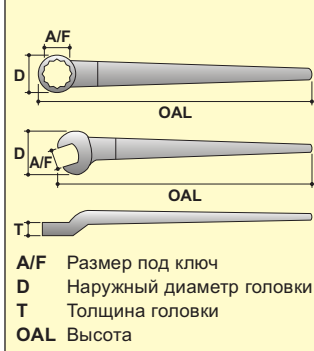
FRACTIONAL BIHEXAGON

| A / F inch | MODEL NO. | T inch | D inch | OAL inch |
|---------------|--------------|-----------|-----------|-------------|
| 15/16 | ABSW15 | 1.575 | 1.850 | 7.086 |
| 1.1/16 | ABSW17 | 1.575 | 1.850 | 7.086 |
| 1.1/8 | ABSW18 | 1.575 | 2.126 | 7.677 |
| 1.1/4 | ABSW20 | 1.772 | 2.126 | 7.677 |
| 1.5/16 | ABSW21 | 1.772 | 2.126 | 7.677 |
| 1.3/8 | ABSW22 | 1.772 | 2.126 | 7.677 |
| 1.7/16 | ABSW23 | 1.772 | 2.362 | 7.874 |
| 1.1/2 | ABSW24 | 1.772 | 2.598 | 8.661 |
| 1.5/8 | ABSW26 | 1.772 | 2.598 | 8.661 |
| 1.11/16 | ABSW27 | 1.968 | 2.952 | 9.055 |
| 1.13/16 | ABSW29 | 1.968 | 2.952 | 9.055 |
| 1.7/8 | ABSW30 | 1.968 | 2.952 | 9.055 |
| 2 | ABSW32 | 1.968 | 3.149 | 9.645 |
| 2.1/16 | ABSW33 | 1.968 | 3.149 | 9.645 |
| 2.3/16 | ABSW35 | 2.362 | 3.464 | 10.236 |
| 2.1/4 | ABSW36 | 2.362 | 3.464 | 10.236 |
| 2.3/8 | ABSW38 | 2.362 | 3.700 | 10.630 |
| 2.7/16 | ABSW39 | 2.362 | 3.700 | 10.630 |
| 2.9/16 | ABSW41 | 2.756 | 4.094 | 11.417 |
| 2.5/8 | ABSW42 | 2.756 | 4.094 | 11.417 |
| 2.3/4 | ABSW44 | 2.756 | 4.330 | 12.598 |
| 2.13/16 | ABSW45 | 2.756 | 4.330 | 12.598 |
| 2.15/16 | ABSW47 | 3.149 | 4.330 | 12.598 |
| 3 | ABSW48 | 3.149 | 4.330 | 12.598 |
| 3.1/8 | ABSW50 | 3.149 | 4.961 | 13.779 |
| 3.3/8 | ABSW51 | 3.543 | 4.961 | 13.779 |
| 3.1/2 | ABSW56 | 3.543 | 5.984 | 15.157 |
| 3.3/4 | ABSW60 | 3.740 | 5.984 | 15.157 |
| 3.7/8 | ABSW62 | 3.740 | 6.102 | 16.338 |
| 4.1/8 | ABSW66 | 4.133 | 6.772 | 16.535 |
| 4.1/4 | ABSW68 | 4.133 | 6.772 | 16.535 |
| 4.1/2 | ABSW72 | 4.133 | 6.772 | 16.535 |
| 4.5/8 | ABSW74 | 4.133 | 7.637 | 19.094 |
| 4.7/8 | ABSW78 | 4.527 | 7.637 | 19.094 |
| 5 | ABSW80 | 4.527 | 8.071 | 20.276 |
| 5.1/4 | ABSW84 | 4.527 | 8.071 | 20.276 |
| 5.3/8 | ABSW86 | 4.527 | 8.071 | 20.276 |
| 5.5/8 | ABSW90 | 4.921 | 9.055 | 22.638 |
| 5.3/4 | ABSW92 | 4.921 | 9.055 | 22.638 |
| 6 | ABSW96 | 5.314 | 9.055 | 22.638 |
| 6.1/8 | ABSW98 | 5.314 | 9.055 | 22.638 |
| 6.1/2 | ABSW104 | 5.905 | 10.630 | 25.394 |
| 6.7/8 | ABSW110 | 5.905 | 10.630 | 25.394 |
| 7.1/8 | ABSW114 | 5.905 | 11.614 | 27.165 |
| 7.1/4 | ABSW116 | 5.905 | 11.614 | 27.165 |
| 7.5/8 | ABSW122 | 5.905 | 11.614 | 27.165 |
| 7.7/8 | ABSW126 | 5.905 | 11.614 | 27.165 |
| 8 | ABSW128 | 5.905 | 11.614 | 27.165 |
| 8.3/8 | ABSW134 | 6.299 | 12.795 | 28.937 |
| 8.3/4 | ABSW140 | 6.299 | 12.795 | 28.937 |
| 9.1/8 | ABSW146 | 6.299 | 12.795 | 28.937 |



КЛЮЧИ СПЕЦИАЛЬНЫЕ

(ИЗОГНУТЫЕ)



12-ГРАННЫЕ



| A / F мм | МОДЕЛЬ | T мм | D мм | OAL мм | Вес кг. |
|-------------|--------|---------|---------|-----------|------------|
| 24 | MOTW24 | 25 | 52 | 430 | 1.200 |
| 27 | MOTW27 | 25 | 52 | 430 | 1.200 |
| 30 | MOTW30 | 25 | 52 | 430 | 1.200 |
| 32 | MOTW32 | 25 | 52 | 430 | 1.200 |
| 34 | MOTW34 | 30 | 68 | 530 | 1.400 |
| 36 | MOTW36 | 30 | 68 | 530 | 1.400 |
| 38 | MOTW38 | 30 | 68 | 530 | 1.400 |
| 41 | MOTW41 | 30 | 68 | 530 | 1.400 |
| 46 | MOTW46 | 38 | 82 | 650 | 2.700 |
| 50 | MOTW50 | 38 | 82 | 650 | 2.700 |
| 55 | MOTW55 | 38 | 82 | 650 | 2.700 |
| 60 | MOTW60 | 41 | 94 | 710 | 2.950 |

FRACTIONAL BIHEXAGON



| A / F inch | MODEL NO. | T inch | D inch | OAL inch | Wt. lbs. |
|---------------|--------------|-----------|-----------|-------------|-------------|
| 15/16 | AOTW15 | 0.984 | 2.047 | 16.929 | 2.640 |
| 1.1/16 | AOTW17 | 0.984 | 2.047 | 16.929 | 2.640 |
| 1.1/8 | AOTW18 | 0.984 | 2.047 | 16.929 | 2.640 |
| 1.1/4 | AOTW20 | 0.984 | 2.047 | 16.929 | 2.640 |
| 1.5/16 | AOTW21 | 0.984 | 2.047 | 16.929 | 2.640 |
| 1.3/8 | AOTW22 | 1.102 | 2.677 | 16.929 | 3.080 |
| 1.7/16 | AOTW23 | 1.102 | 2.677 | 20.866 | 3.080 |
| 1.1/2 | AOTW24 | 1.181 | 2.677 | 20.866 | 3.080 |
| 1.5/8 | AOTW26 | 1.496 | 3.228 | 25.590 | 3.080 |
| 1.11/16 | AOTW27 | 1.496 | 3.228 | 25.590 | 5.940 |
| 1.13/16 | AOTW29 | 1.496 | 3.228 | 25.590 | 5.940 |
| 1.7/8 | AOTW30 | 1.220 | 2.952 | 22.834 | 5.940 |
| 2 | AOTW32 | 1.377 | 3.149 | 24.606 | 5.940 |
| 2.1/16 | AOTW33 | 1.377 | 3.149 | 24.606 | 5.940 |
| 2.3/16 | AOTW35 | 1.377 | 3.464 | 25.984 | 5.940 |
| 2.1/4 | AOTW36 | 1.377 | 3.464 | 25.984 | 5.940 |
| 2.3/8 | AOTW38 | 1.614 | 3.700 | 27.952 | 6.380 |
| 2.7/16 | AOTW39 | 1.614 | 3.700 | 27.952 | 6.380 |

КЛЮЧИ СПЕЦИАЛЬНЫЕ

(ИЗОГНУТЫЕ С ОТКРЫТЫМ ЗАХВАТОМ)

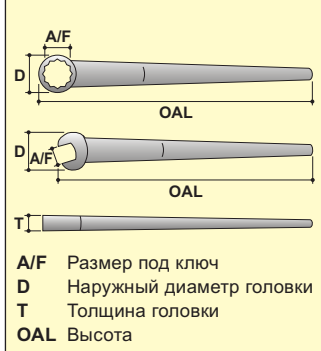


МЕТРИЧЕСКИЕ

| A / F мм | MODEL NO. | T мм | D мм | OAL мм | Вес кг. |
|-------------|--------------|---------|---------|-----------|------------|
| 24 | MOTOJ24 | 25 | 52 | 430 | 1.200 |
| 27 | MOTOJ27 | 25 | 52 | 430 | 1.200 |
| 30 | MOTOJ30 | 25 | 52 | 430 | 1.200 |
| 32 | MOTOJ32 | 25 | 52 | 430 | 1.200 |
| 34 | MOTOJ34 | 30 | 68 | 530 | 1.400 |
| 36 | MOTOJ36 | 30 | 68 | 530 | 1.400 |
| 38 | MOTOJ38 | 30 | 68 | 530 | 1.400 |
| 41 | MOTOJ41 | 30 | 68 | 530 | 1.400 |
| 46 | MOTOJ46 | 38 | 82 | 650 | 2.700 |
| 50 | MOTOJ50 | 38 | 82 | 650 | 2.700 |
| 55 | MOTOJ55 | 38 | 82 | 650 | 2.700 |
| 60 | MOTOJ60 | 41 | 94 | 710 | 2.950 |

FRACTIONAL SIZES

| A / F inch | MODEL NO. | T inch | D inch | OAL inch | Wt. lbs. |
|---------------|--------------|-----------|-----------|-------------|-------------|
| 15/16 | AOTOJ15 | 0.984 | 2.047 | 16.929 | 2.640 |
| 1.1/16 | AOTOJ17 | 0.984 | 2.047 | 16.929 | 2.640 |
| 1.1/8 | AOTOJ18 | 0.984 | 2.047 | 16.929 | 2.640 |
| 1.1/4 | AOTOJ20 | 0.984 | 2.047 | 16.929 | 2.640 |
| 1.5/16 | AOTOJ21 | 0.984 | 2.047 | 20.870 | 2.640 |
| 1.3/8 | AOTOJ22 | 1.102 | 2.670 | 16.929 | 3.080 |
| 1.7/16 | AOTOJ23 | 1.102 | 2.670 | 20.866 | 3.080 |
| 1.1/2 | AOTOJ24 | 1.102 | 2.670 | 20.866 | 3.080 |
| 1.5/8 | AOTOJ26 | 1.102 | 2.670 | 25.590 | 3.080 |
| 1.11/16 | AOTOJ27 | 1.490 | 3.228 | 25.590 | 5.940 |
| 1.13/16 | AOTOJ29 | 1.490 | 3.228 | 25.590 | 5.940 |
| 1.7/8 | AOTOJ30 | 1.490 | 3.228 | 22.834 | 5.940 |
| 2 | AOTOJ32 | 1.490 | 3.228 | 24.606 | 5.940 |
| 2.1/16 | AOTOJ33 | 1.490 | 3.228 | 24.606 | 5.940 |
| 2.3/16 | AOTOJ35 | 1.490 | 3.228 | 25.984 | 5.940 |
| 2.1/4 | AOTOJ36 | 1.490 | 3.228 | 25.984 | 5.940 |
| 2.3/8 | AOTOJ38 | 1.614 | 3.700 | 27.952 | 6.380 |
| 2.7/16 | AOTOJ39 | 1.614 | 3.700 | 27.952 | 6.380 |



КЛЮЧИ СПЕЦИАЛЬНЫЕ

(ПРЯМЫЕ)



12-ГРАННЫЕ



| A / F мм | МОДЕЛЬ | T мм | D мм | OAL мм | Вес кг. |
|-------------|--------|---------|---------|-----------|------------|
| 24 | MTW24 | 17 | 47 | 375 | 0.760 |
| 27 | MTW27 | 17 | 47 | 375 | 0.760 |
| 30 | MTW30 | 18 | 54 | 375 | 0.920 |
| 32 | MTW32 | 18 | 54 | 430 | 0.920 |
| 34 | MTW34 | 18 | 54 | 430 | 0.950 |
| 36 | MTW36 | 20 | 60 | 530 | 0.950 |
| 38 | MTW38 | 22 | 66 | 530 | 1.650 |
| 41 | MTW41 | 22 | 66 | 530 | 1.850 |
| 46 | MTW46 | 25 | 75 | 580 | 1.850 |
| 50 | MTW50 | 25 | 80 | 625 | 2.250 |
| 55 | MTW55 | 26 | 88 | 660 | 2.250 |
| 60 | MTW60 | 28 | 94 | 710 | 2.250 |

FRACTIONAL BIHEXAGON



| A / F inch | MODEL NO. | T inch | D inch | OAL inch | Wt. lbs. |
|---------------|--------------|-----------|-----------|-------------|-------------|
| 15/16 | ATW15 | 0.669 | 1.850 | 14.763 | 1.670 |
| 1.1/16 | ATW17 | 0.669 | 1.850 | 14.763 | 1.670 |
| 1.1/8 | ATW18 | 0.708 | 2.125 | 14.763 | 2.000 |
| 1.1/4 | ATW20 | 0.708 | 2.125 | 16.929 | 2.000 |
| 1.5/16 | ATW21 | 0.708 | 2.125 | 16.929 | 2.150 |
| 1.3/8 | ATW22 | 0.708 | 2.125 | 16.929 | 2.150 |
| 1.7/16 | ATW23 | 0.787 | 2.362 | 20.866 | 3.520 |
| 1.1/2 | ATW24 | 0.866 | 2.598 | 20.866 | 4.100 |
| 1.5/8 | ATW26 | 0.866 | 2.598 | 20.866 | 4.100 |
| 1.11/16 | ATW27 | 0.984 | 2.952 | 20.866 | 4.950 |
| 1.13/16 | ATW29 | 0.984 | 2.952 | 22.834 | 4.950 |
| 1.7/8 | ATW30 | 0.984 | 2.952 | 22.834 | 4.950 |
| 2 | ATW32 | 0.984 | 3.149 | 24.606 | 5.610 |
| 2.1/16 | ATW33 | 0.984 | 3.149 | 24.606 | 5.610 |
| 2.3/16 | ATW35 | 1.023 | 3.464 | 25.984 | 6.000 |
| 2.1/4 | ATW36 | 1.023 | 3.464 | 25.984 | 6.000 |
| 2.3/8 | ATW38 | 1.102 | 3.700 | 27.952 | 6.270 |
| 2.7/16 | ATW39 | 1.102 | 3.700 | 27.952 | 6.270 |

КЛЮЧИ СПЕЦИАЛЬНЫЕ

(ПРЯМЫЕ С ОТКРЫТЫМ ЗАХВАТОМ)



МЕТРИЧЕСКИЕ

| A / F мм | МОДЕЛЬ | T мм | D мм | OAL мм | Вес кг. |
|-------------|--------|---------|---------|-----------|------------|
| 24 | МТОJ24 | 17 | 58 | 375 | 0.760 |
| 27 | МТОJ27 | 17 | 58 | 375 | 0.760 |
| 30 | МТОJ30 | 18 | 66 | 375 | 0.920 |
| 32 | МТОJ32 | 18 | 66 | 430 | 0.920 |
| 34 | МТОJ34 | 18 | 73 | 430 | 0.950 |
| 36 | МТОJ36 | 20 | 78 | 530 | 0.950 |
| 38 | МТОJ38 | 20 | 90 | 530 | 1.650 |
| 41 | МТОJ41 | 20 | 90 | 530 | 1.850 |
| 46 | МТОJ46 | 22 | 100 | 580 | 1.850 |
| 50 | МТОJ50 | 22 | 110 | 625 | 2.250 |
| 55 | МТОJ55 | 25 | 120 | 660 | 2.250 |
| 60 | МТОJ60 | 25 | 130 | 710 | 2.250 |

FRACTIONAL SIZES

| A / F inch | MODEL NO. | T inch | D inch | OAL inch | Wt. lbs. |
|---------------|--------------|-----------|-----------|-------------|-------------|
| 15/16 | ATOJ15 | 0.669 | 2.283 | 14.763 | 1.670 |
| 1.1/16 | ATOJ17 | 0.669 | 2.283 | 14.763 | 1.670 |
| 1.1/8 | ATOJ18 | 0.708 | 2.598 | 14.763 | 2.000 |
| 1.1/4 | ATOJ20 | 0.708 | 2.874 | 16.929 | 2.000 |
| 1.5/16 | ATOJ21 | 0.708 | 2.874 | 16.929 | 2.150 |
| 1.3/8 | ATOJ22 | 0.708 | 2.874 | 16.929 | 2.150 |
| 1.7/16 | ATOJ23 | 0.787 | 3.070 | 20.866 | 3.520 |
| 1.1/2 | ATOJ24 | 0.787 | 3.543 | 20.866 | 4.100 |
| 1.5/8 | ATOJ26 | 0.787 | 3.543 | 20.866 | 4.100 |
| 1.11/16 | ATOJ27 | 0.787 | 3.543 | 20.866 | 4.950 |
| 1.13/16 | ATOJ29 | 0.866 | 3.937 | 22.834 | 4.950 |
| 1.7/8 | ATOJ30 | 0.866 | 4.330 | 22.834 | 4.950 |
| 2 | ATOJ32 | 0.866 | 4.330 | 24.606 | 5.610 |
| 2.1/16 | ATOJ33 | 0.984 | 4.724 | 24.606 | 5.610 |
| 2.3/16 | ATOJ35 | 0.984 | 4.724 | 25.984 | 6.000 |
| 2.1/4 | ATOJ36 | 0.984 | 5.118 | 25.984 | 6.000 |
| 2.3/8 | ATOJ38 | 0.984 | 5.118 | 27.952 | 6.270 |
| 2.7/16 | ATOJ39 | 1.181 | 5.590 | 27.952 | 6.270 |

